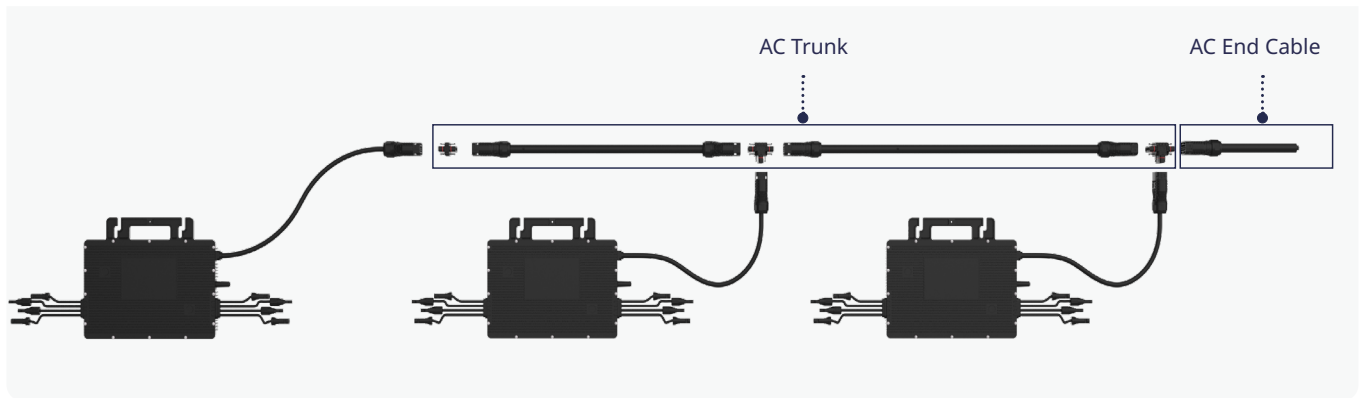


# Flex-T5 Cable Accessories

*Simplify Your Installation with Easy, Flexible, and Reliable Cable System*

The Flex-T5 Cable System is a revolutionary cabling solution designed for HMT series microinverters. Its user-friendly plug-and-play design makes the installation easier, faster, and more reliable. The Flex-T5 Cable System also features high flexibility, allowing users to mix and match Flex-T5 Connection Cables of different sizes or lengths to achieve their desired wiring configuration at the lowest cost.



**Time-saving:** Plug-and-play design eliminates the need for complex wiring, cutting installation time by 70%.



**Cost-effective:** The microinverter's AC output shares the same design as all connectors in the AC Trunk, enhancing flexibility while cutting costs.



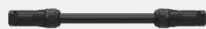
**Flexibility:** Provide great flexibility for AC Trunk design that caters to the specific requirements of your PV system.



**Reliability:** Reconfigured wiring layout reduces heat production, ensuring a secure and stable connection.

## Flex-T5 Connection Cable

Makes a customized AC Trunk by utilizing Flex-T5 Trunk Connectors and Flex-T5 Extension Connectors.



## Flex-T5 Trunk Connector

Used to connect the microinverter's AC output to the AC Trunk, and to join together multiple Flex-T5 Connection Cables to create the AC Trunk.



## Flex-T5 Extension Connector

Used to connect the first microinverter in the AC Trunk, to extend cable runs between microinverters when the distance exceeds the standard Flex-T5 Connection Cable length, and to create a cost-effective single-microinverter system.



## Flex-T5 Cable Terminal Connector

Used to form the AC cable into an AC End Cable, which completes the connection between the end of the AC Trunk and the distribution box.



## Flex-T5 Disconnect Tool

A versatile tool that can be used to take apart connectors, tighten nuts, and loosen nuts.



## Technical Specifications

Connector System Parameter	
Compatible microinverter	HMT series
Pin number	3P + N* + PE
Voltage rating	500 V
Current rating	40 A
Max. supported conductor size	10 AWG
Max. supported cable outer diameter	0.69" (17.5 mm)
Ambient temperature range	-40°F to +185°F (-40°C to +85°C)
Protection rating	IP 68
Flame resistance degree	UL94-V0
Compliance	RoHS, UV Resistant
Product standard	UL6703
Cable Parameter	
Cable type	TC-ER
Voltage rating	600 V
Conductor size	12 / 10 AWG
Flame test rating	VTFT
Ambient temperature range	-40°F to +185°F (-40°C to +85°C)
Compliance	RoHS, UV Resistant
Product standard	UL44, UL1277, UL1581

\* : The Flex-T5 Connection Cable is five-core. In Delta (Δ) Configuration where no N connection is required, you can create the AC End Cable using a four-core cable.

## Ordering Options

Name	New Model (Previous Model)*	Number per Box	Box Dimensions
Flex-T5 Trunk Connector	T5-TC (HMT Trunk Connector-1PCS)	160 PCS	19.49" × 11.42" × 10.04" (495 mm × 290 mm × 255 mm)
Flex-T5 Extension Connector	T5-EC (HMT Extension Connector-1PCS)	300 PCS	19.49" × 11.42" × 10.04" (495 mm × 290 mm × 255 mm)
Flex-T5 Disconnection Tool	T5-DT (HMT Disconnect Tool-1PCS)	320 PCS	19.49" × 11.42" × 10.04" (495 mm × 290 mm × 255 mm)
Flex-T5 Cable Terminal Connector	T5-CTC-NA1210C (HMT Cable Terminal Connector)	110 PCS	19.49" × 11.42" × 10.04" (495 mm × 290 mm × 255 mm)

Connection Cable New Model (Previous Model)*	Conductors Cross Sectional Area	Rated Current**	Cable Length Between Connectors***	Minimum Bending Radius	Number per Box	Box Dimensions
T5-CC-NA12-230 (HMT Connection Cable-NA12-230)	5 × 12 AWG	20 A	7.5 ft. (2.3 m)	2.8" (7 cm)	TBD	13.58" × 13.58" × 14.76" (345 mm × 345 mm × 375 mm)
T5-CC-NA12-460 (HMT Connection Cable-NA12-460)	5 × 12 AWG	20 A	15.1 ft. (4.6 m)	2.8" (7 cm)	TBD	13.58" × 13.58" × 14.76" (345 mm × 345 mm × 375 mm)
T5-CC-NA10-230 (HMT Connection Cable-NA10-230)	5 × 10 AWG	30 A	7.5 ft. (2.3 m)	3.5" (9 cm)	TBD	13.58" × 13.58" × 14.76" (345 mm × 345 mm × 375 mm)
T5-CC-NA10-460 (HMT Connection Cable-NA10-460)	5 × 10 AWG	30 A	15.1 ft. (4.6 m)	3.5" (9 cm)	TBD	13.58" × 13.58" × 14.76" (345 mm × 345 mm × 375 mm)

\* : Hoymiles has renamed the accessories listed above, and that's the only change we've made. Please be assured that everything else remains the same.

\*\* : Comply with local standards when designing and installing cables.

\*\*\*: Cable length can be customized. Contact Hoymiles sales for more details.