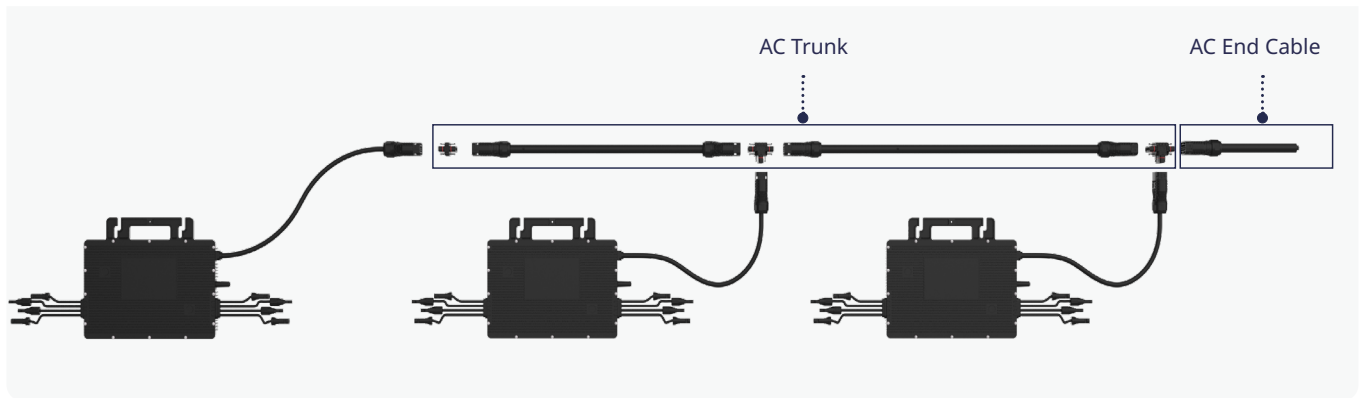


Flex-T5 Cable Accessories

| Simplify Your Installation with Easy, Flexible, and Reliable Cable System

The Flex-T5 Cable System is a revolutionary cabling solution designed for MiT series microinverters. Its user-friendly plug-and-play design makes the installation easier, faster, and more reliable. The Flex-T5 Cable System features high flexibility, allowing users to mix and match Flex-T5 Connection Cables of different sizes or lengths to achieve their desired wiring configuration at the lowest cost.



Time-saving: Plug-and-play design eliminates the need for complex wiring, cutting installation time by 70%.



Cost-effective: The microinverter's AC output shares the same design as all connectors in the AC Trunk, enhancing flexibility while cutting costs.



Flexibility: Provide great flexibility for AC Trunk design that caters to the specific requirements of your PV system.



Reliability: Reconfigured wiring layout reduces heat production, ensuring a secure and stable connection.

Flex-T5 Connection Cable

Makes a customized AC Trunk by utilizing Flex-T5 Trunk Connectors and Flex-T5 Extension Connectors.



Flex-T5 Trunk Connector

Used to connect the microinverter's AC output to the AC Trunk, and to join together multiple Flex-T5 Connection Cables to create the AC Trunk.



Flex-T5 Extension Connector

Used to connect the first microinverter in the AC Trunk, to extend cable runs between microinverters when the distance exceeds the standard Flex-T5 Connection Cable length, and to create a cost-effective single-microinverter system.



Flex-T5 Cable Terminal Connector

Used to form the AC cable into an AC End Cable, which completes the connection between the end of the AC Trunk and the distribution box.



Flex-T5 Disconnect Tool

A versatile tool that can be used to take apart connectors, tighten nuts, and loosen nuts.



Technical Specifications

Connector System Parameter

Compatible microinverter	MIT series
Pin number	3P + N + PE
Rated voltage	500 V
Rated current	40 A
Max. supported conductor size	6.0 mm ²
Max. supported cable outer diameter	20.5 mm
Ambient temperature range	-40°C to +85°C
Protection rating	IP68
Flame resistance degree	UL94-V0
Compliance	RoHS, UV Resistant
Product standard	EN 61984

Cable Parameter

Cable type	H07RN-F
Rated voltage	450 V / 750 V
Conductor size	2.5 / 4.0 / 6.0 mm ²
Ambient temperature range	-40°C to +90°C
Compliance	RoHS
Product standard	EN50525-2-21

Ordering Options

Name	Model	Number per Box	Box Dimensions
Flex-T5 Trunk Connector	T5-TC	160 PCS	495 mm × 290 mm × 255 mm
Flex-T5 Extension Connector	T5-EC	300 PCS	495 mm × 290 mm × 255 mm
Flex-T5 Disconnection Tool	T5-DT	320 PCS	495 mm × 290 mm × 255 mm
Flex-T5 Cable Terminal Connector	T5-CTC-EN2540C	110 PCS	495 mm × 290 mm × 255 mm
	T5-CTC-EN60C	TBD	495 mm × 290 mm × 255 mm
	T5-CTC-EN2560C	TBD	495 mm × 290 mm × 255 mm
	T5-CTC-EN2560S	TBD	495 mm × 290 mm × 255 mm

Flex-T5 Connection Cable Model	Conductors Cross Sectional Area	Rated Current *	Cable Length Between Connectors **	Minimum Bending Radius	Number per Box	Box Dimensions
T5-CC-EN25-230	5 × 2.5 mm ²	22 A	2.3 m	9 cm	TBD	345 mm × 345 mm × 375 mm
T5-CC-EN25-460	5 × 2.5 mm ²	22 A	4.6 m	9 cm	TBD	345 mm × 345 mm × 375 mm
T5-CC-EN40-230	5 × 4.0 mm ²	30 A	2.3 m	11 cm	TBD	345 mm × 345 mm × 375 mm
T5-CC-EN40-460	5 × 4.0 mm ²	30 A	4.6 m	11 cm	TBD	345 mm × 345 mm × 375 mm
T5-CC-EN60-230	5 × 6.0 mm ²	39 A	2.3 m	12 cm	TBD	345 mm × 345 mm × 375 mm
T5-CC-EN60-460	5 × 6.0 mm ²	39 A	4.6 m	12 cm	TBD	345 mm × 345 mm × 375 mm

* : Comply with local standards when designing and installing cables.

** : Cable length can be customized. Contact Hoymiles sales for more details.